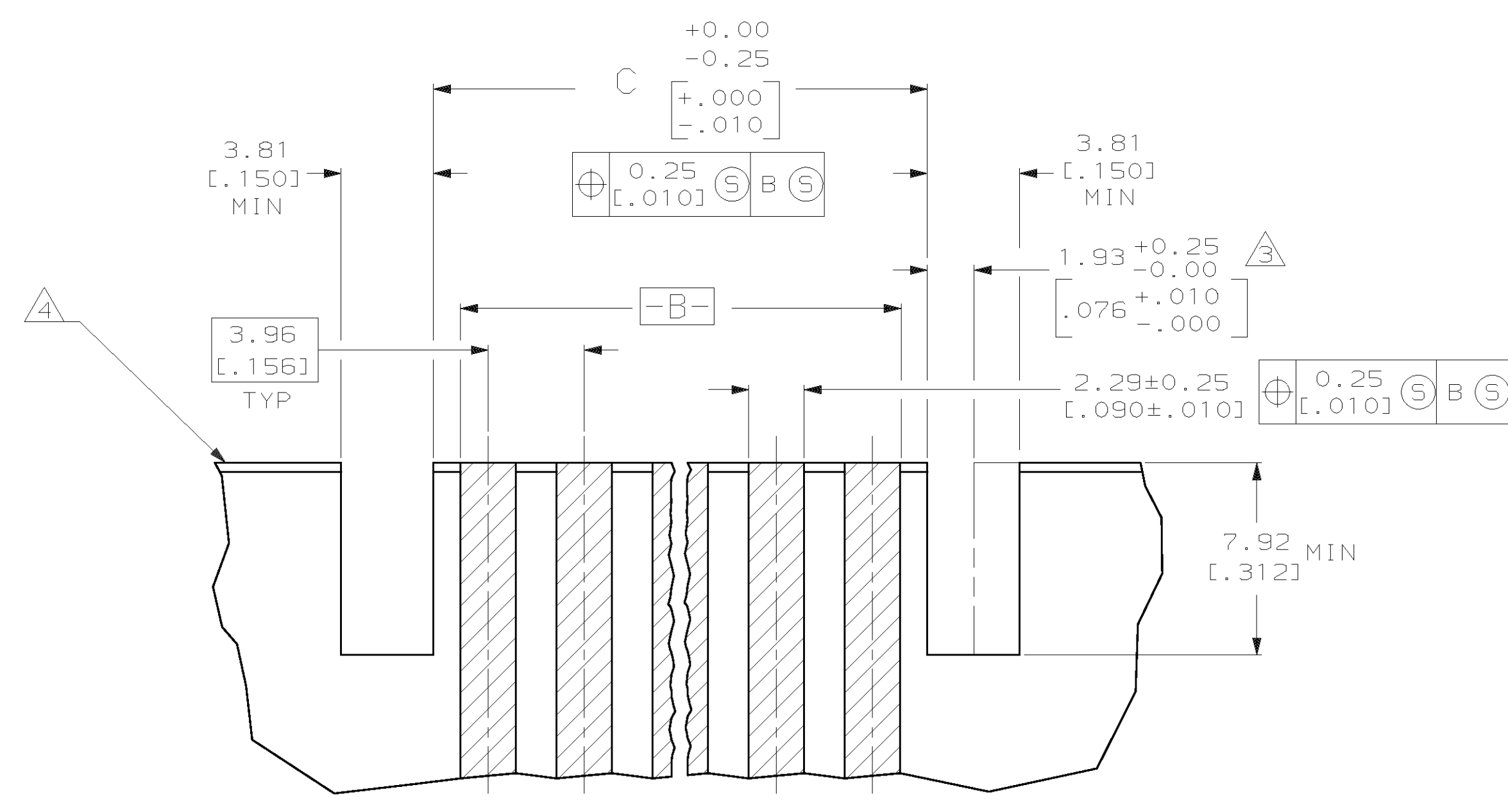
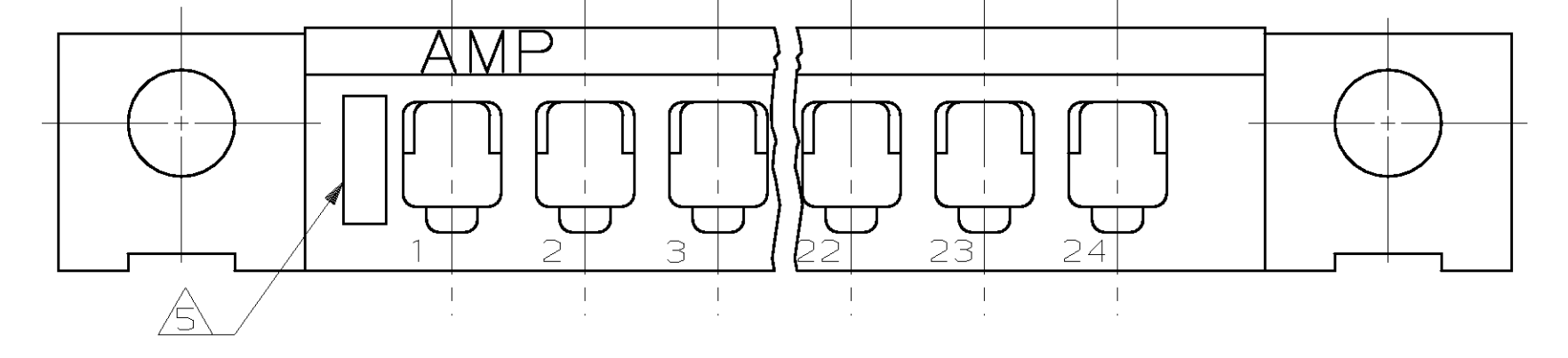
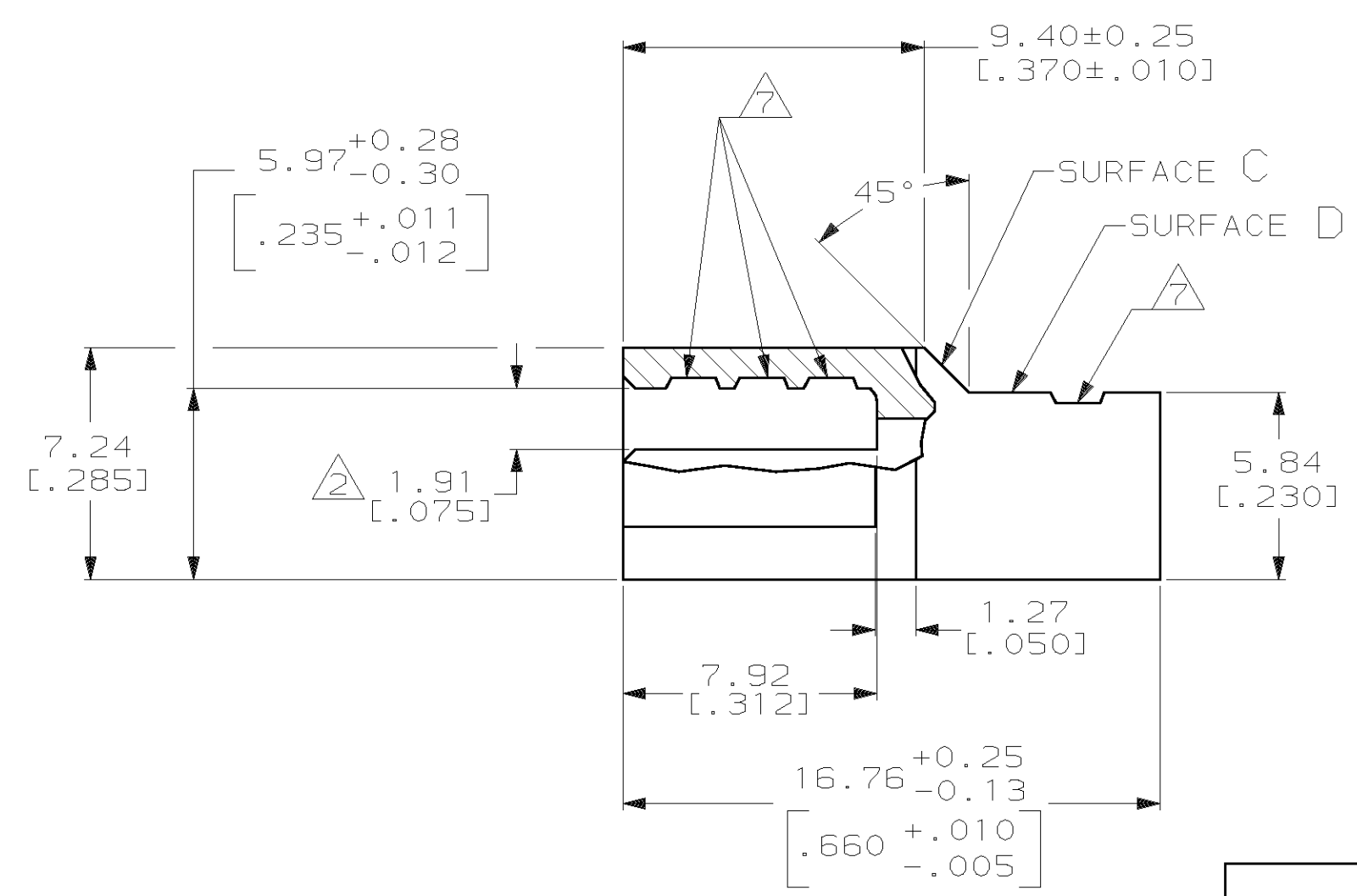
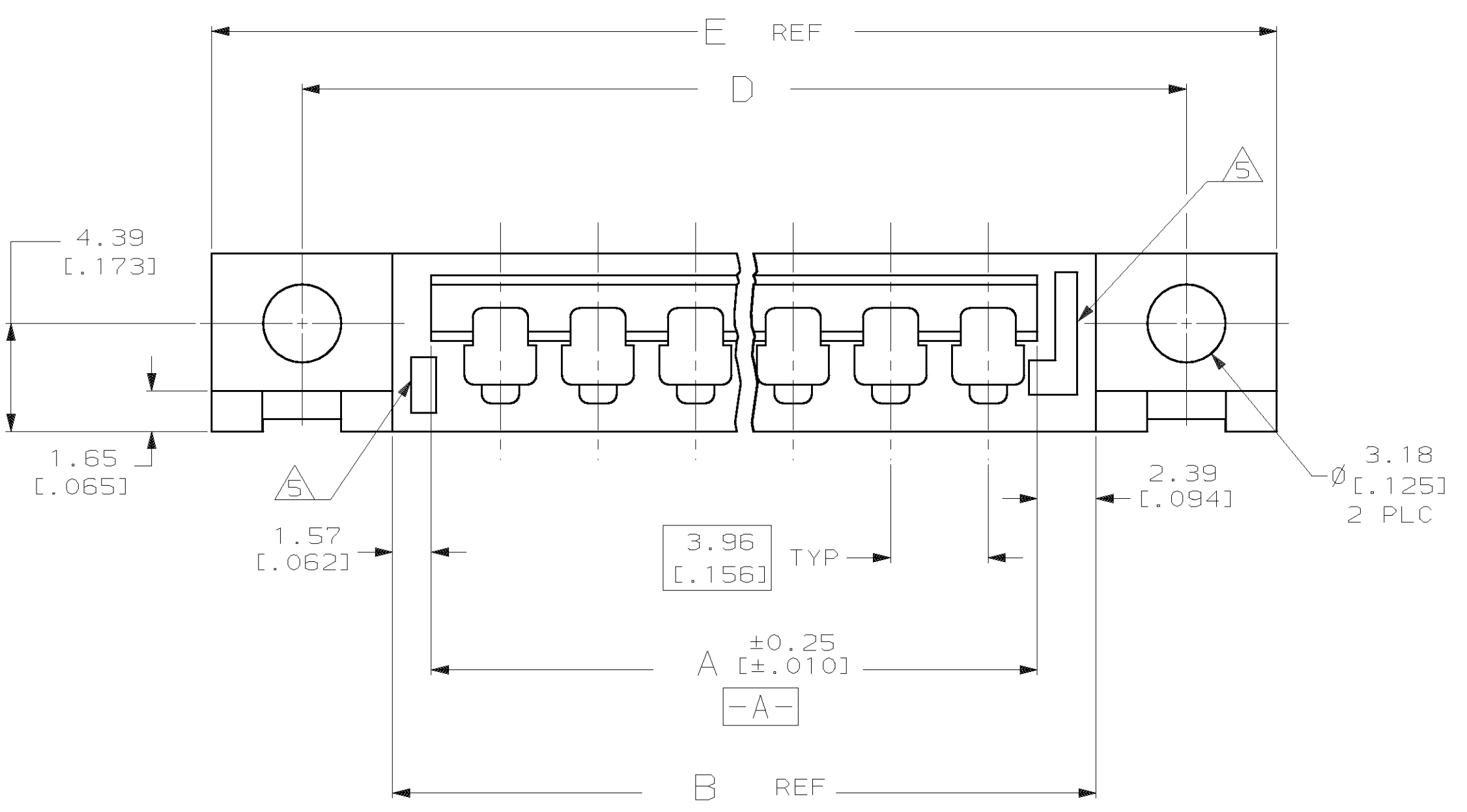
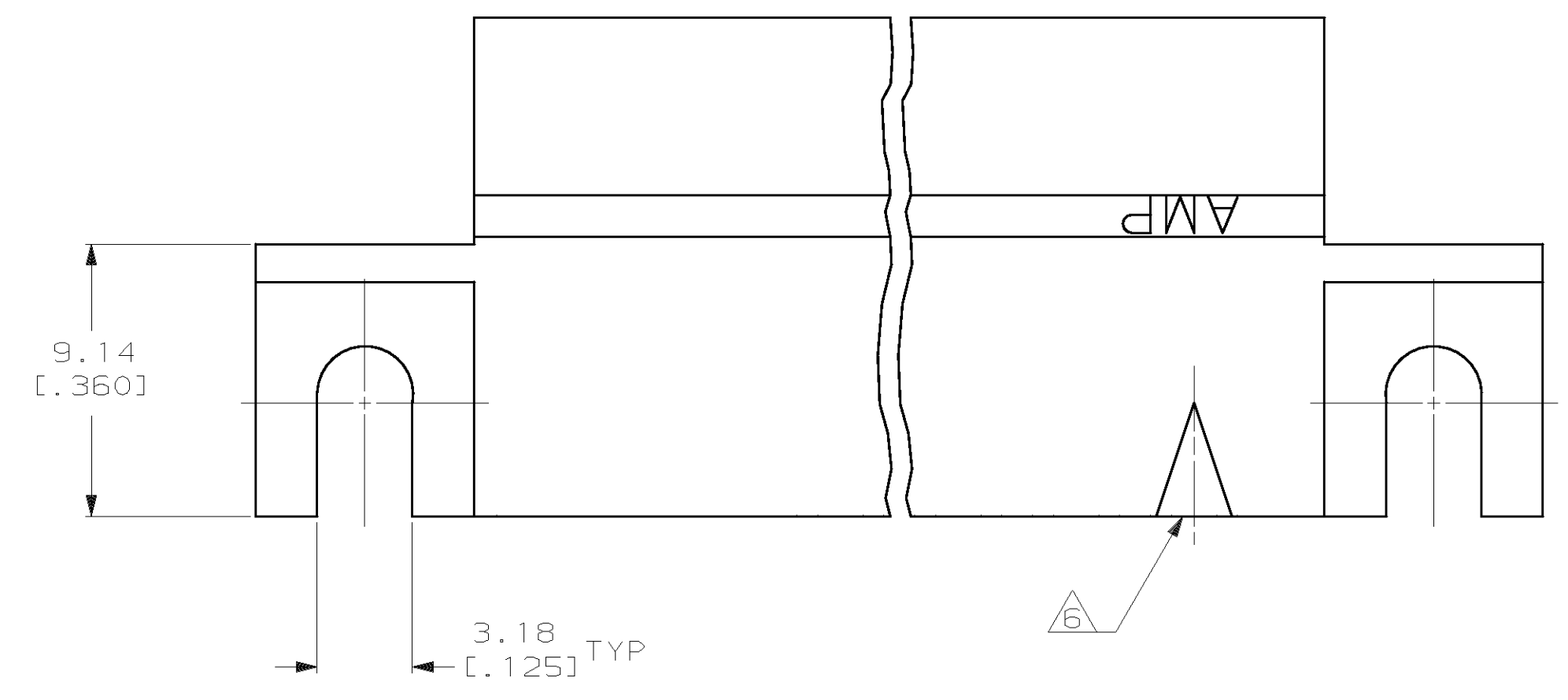


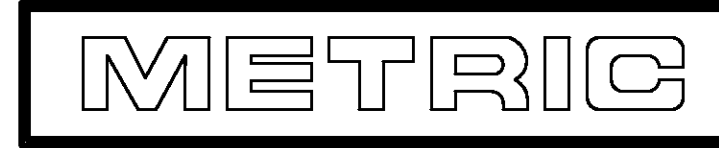
LOC			DIST			REVISED			REVISIONS		
CM	52		P	F	ZONE	LTR			DESCRIPTION	DATE	APPD
			P						0B5 -10, -15 & -20 PER	6-11-97	JH
									EC 0730-0162-96		RS



RECOMMENDED LAYOUT PATTERN FOR 1.575 ± 0.191 [0.0620 ± 0.0075] THICK P.C. BOARD INCLUDING CIRCUITRY

- HOUSING ACCEPTS CONTACTS P/N 61668 OR 350194.
- MEASURED AT ENDS OF CARD SLOT.
- RECOMMENDED CUTOUT FOR HOUSING POLARIZATION. WHERE REQUIRED.
- 0.38 [0.015] MIN X 45° CHAMFER RECOMMENDED ON BOTH SIDES OF BOARD.
- CORING OPTIONAL.
- OPTIONAL FROSTED SURFACE LOCATED ON ϕ OF CIRCUIT NO. 1; ANOTHER OPTION IS A RECESSED TRIANGLE ON SURFACE C WITH A FROSTED AMP LOGO ON SURFACE D.
- OPTIONAL PULL GROOVE AS REQUIRED FOR MOLDING.
- DIMENSIONS IN BRACKETS ARE IN INCHES.

E	D	C	B	A	NO OF CIRCUITS	PART NO.
67.06 [2.640]	59.13 [2.328]	48.13 [1.895]	52.37 [2.062]	48.41 [1.906]	12	1-640137-2



DO NOT SCALE PRINT. UNLESS SPECIFIED DIMENSIONS IN mm [INCHES] TOLERANCES ON:	DR 7-31-92 K. SALMON CHK 7-31-92 R. SWING APPD 7-31-92 W. LONG
MATERIAL POLYESTER, UL94V-0 (NATURAL)	APPD 7-31-92 W. LONG PRODUCT SPEC
FINISH	APPLICATION SPEC
	WEIGHT

AMP AMP Incorporated
Harrisburg, PA 17105-3608

NAME
HOUSING, EDGE CONNECTOR, BIFURCATED LEAF

SIZE	CAGE CODE	DRAWING NO.
D	00779	640137
SCALE	5:1	SHEET 1 OF 1